

COMBi CUBE

COMBiLiFT

LIFTING INNOVATION

With a wealth of innovative new features such as intelligent seat rotation and our proprietary Dynamic 360[®] Steering System, the Combi-Cube is the next generation counterbalance forklift.



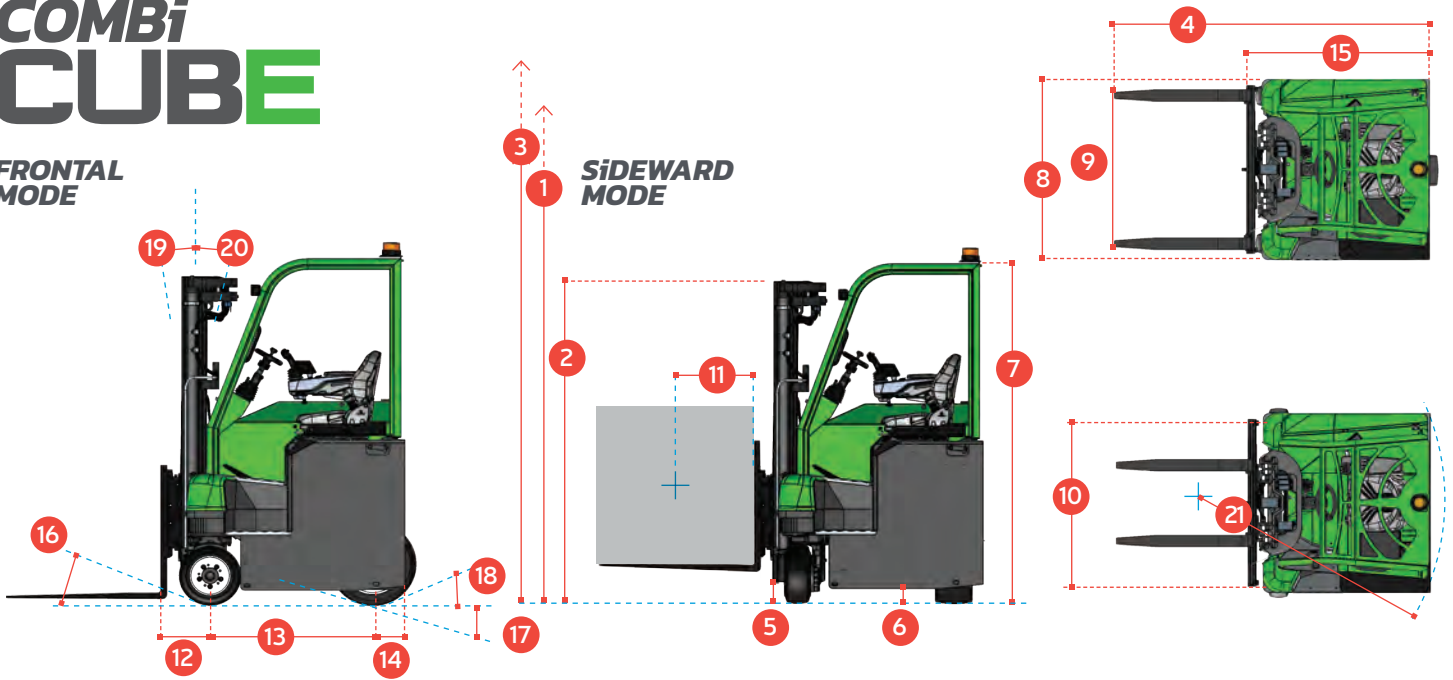
Optional: Fully Enclosed Cab



COMBi CUBE

FRONTAL MODE

SIWARD MODE



REF.	DESCRIPTION	STD		OPTIONAL	
		DUPLEX	DUPLEX	DUPLEX	TRIPLEX
1 a	Standard Lift Height	4000mm	4550 mm	5050 mm	5500 mm
1 b	Free Lift Height	0 mm	1980 mm	2230 mm	1481 mm
2	Height Mast Closed	2610 mm	2910 mm	3160 mm	2410 mm
3	Max. (Mast raised)	4900 mm	5450 mm	5950 mm	6400 mm
4	Overall Length	2640 mm			
5	Ground Clearance Under Mast	125 mm			
6	Ground Clearance at Rear Corner	130 mm			
7	Height of Overhead Guard	2400 mm			
8	Width	1500 mm			
9	Outside Spread of Fork Arms	1325 mm			
10	Track Front	1186 mm			
11	Load Centre Distance	600 mm			
12	Overhang Front	320 mm			
13	Wheelbase	1048 mm			
14	Overhang Back	208 mm			
15	Length From Face of Fork	1585 mm			
16	Approach Angle	30°			
17	Ramp Angle	15°			
18	Departure Angle	30°			
19	Forward Tilt	3°			
20	Backward Tilt	5°			
21	Minimum Outside Radius	1400 mm			
A	Capacity	3000 kg			
B	Unladen Weight	6750 kg			
C	Maximum Ground Speed	12 km/h			
D	Gradeability	10%			
E	Battery Capacity	48 V / 930 Ah			
F	AC Electric Traction Motor x 2	48 V / 8.7 kW			
G	AC Electric Pump Motor	48 V / 14 kW			
H	Fork Section	125 mm x 50 mm x 1065 mm			
I	16 x 7 – 10.5 Front Tyre x 2	OD 406 mm / Width 178 mm			
J	22 x 10 x 16 Rear Tyre x 1	OD 559 mm / Width 254 mm			
K	Standard Colour	Eco Green and Grey			
L	Suspension Seat	Grammer MSG 65			

Optional: Intelligent Seat Rotation

The CUBE's patent pending swivel seat automatically swivels 15° to the left or right with the selected direction of travel, maximising driver visibility and reducing strain when travelling in reverse.



Features Include:

- Ergonomic cabin
- Multi-directional operation
- Powered by AC technology
- Dynamic 360° Steering
- Rubber Mounted Cabin
- Centrally Positioned Operator
- 2 Interchangeable Rollout Batteries

2 Interchangeable Rollout Batteries



- Design Copyright No. – 015019216-0001
- Design Copyright No. – 015019216-0002
- Patent Pending No. PCT/EP2024/059718

COMBILIFT HAS A POLICY OF CONTINUOUS PRODUCT DEVELOPMENT AND RESERVES THE RIGHT TO ALTER SPECIFICATIONS WITHOUT PRIOR NOTICE. SPECIFICATIONS AND/OR DIMENSIONS MAY VARY FROM THOSE ILLUSTRATED IN SOME COUNTRIES.